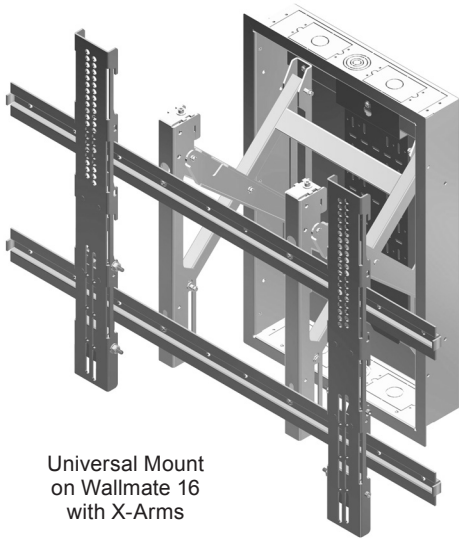
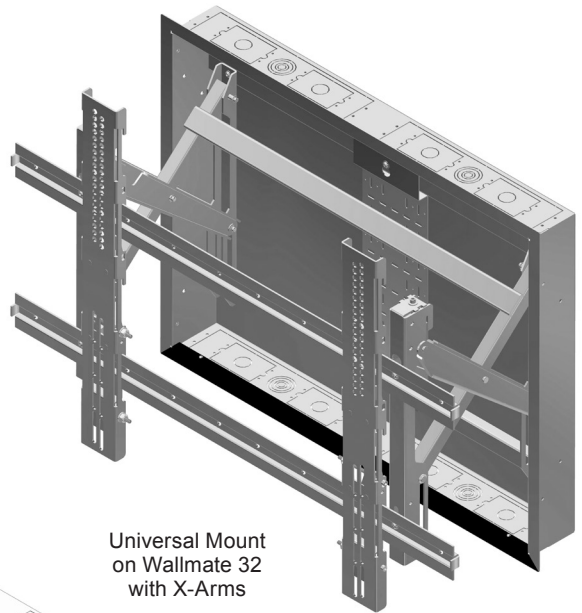


INSTALLATION INSTRUCTIONS

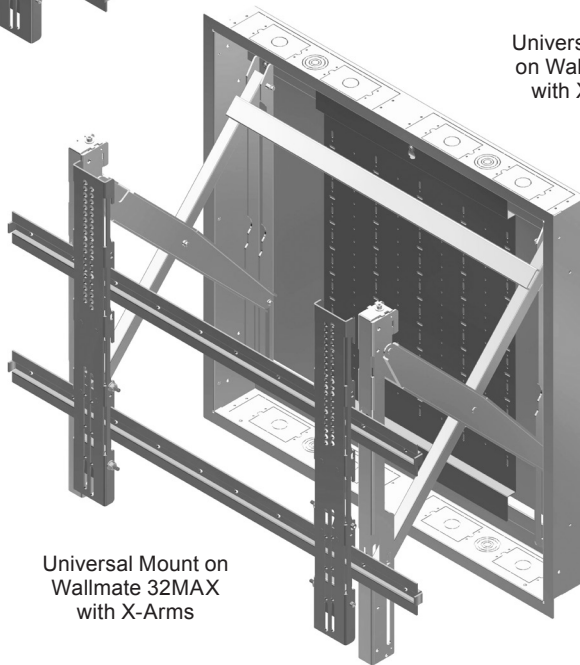
UNIVERSAL MOUNT FOR WALLMATE FLAT PANEL INTEGRATION SYSTEM



Universal Mount
on Wallmate 16
with X-Arms



Universal Mount
on Wallmate 32
with X-Arms



Universal Mount on
Wallmate 32MAX
with X-Arms



Phone: (714) 991-6400 • Fax: (714) 991-6407
www.rpvisuals.com • info@rpvisuals.com

TABLE OF CONTENTS

VESA LIMITATIONS	2
WEIGHT LIMITATIONS	2
REQUIRED TOOLS	2
UNPACK	3
Prepare Vertical Bars	3
HORIZONTAL BAR INSTALLATION	4 - 5
Determine Horizontal Bar Mounting Position	4
Mount Horizontal Bars to X-Arms	5
VERTICAL BAR INSTALLATION	6 - 8
Vertical Bar Mounting Options	6
Calculate Universal Mounting Offset Value U	6
Determine Vertical Bar Top Mounting Hole Position	7
Prepare Vertical Bar for Top Notch Mounting (Optional)	8
DISPLAY INSTALLATION	9 - 10
Mount Vertical Bars to Display	9
Hang Display	9
Install Bottom Lock Plates	10
FINAL ADJUSTMENTS	11
Adjust Display Height	11
Adjust Horizontal Position	11

IMPORTANT: READ THIS MANUAL THOROUGHLY BEFORE BEGINNING INSTALLATION

NOTE: Reference the Wallmate System Installation Manual to install Back Box with X-Arms and accessories. Universal Mount shown with Wallmate 32 in examples. Wallmate 16 and 32MAX have similar installation processes.

VESA LIMITATIONS

Maximum VESA Height : 600 mm
 Maximum VESA Width : 800 mm

WEIGHT LIMITATIONS

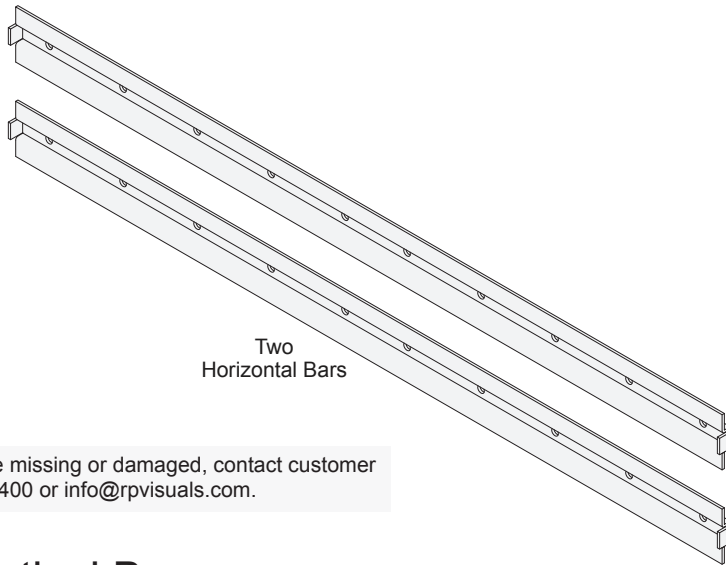
Model	Weight Capacity
Wallmate 16	125 lbs (57 kg)
Wallmate 32	300 lbs (136 kg)
Wallmate 32MAX	350 lbs (159 kg)

REQUIRED TOOLS

- 3/16" and 7/16" Allen Wrenches
- M6 and M8 Allen Wrenches
- 3/4" Socket Wrench
- Level

UNPACK

- ① Each Wallmate Universal Mount Kit include the following:



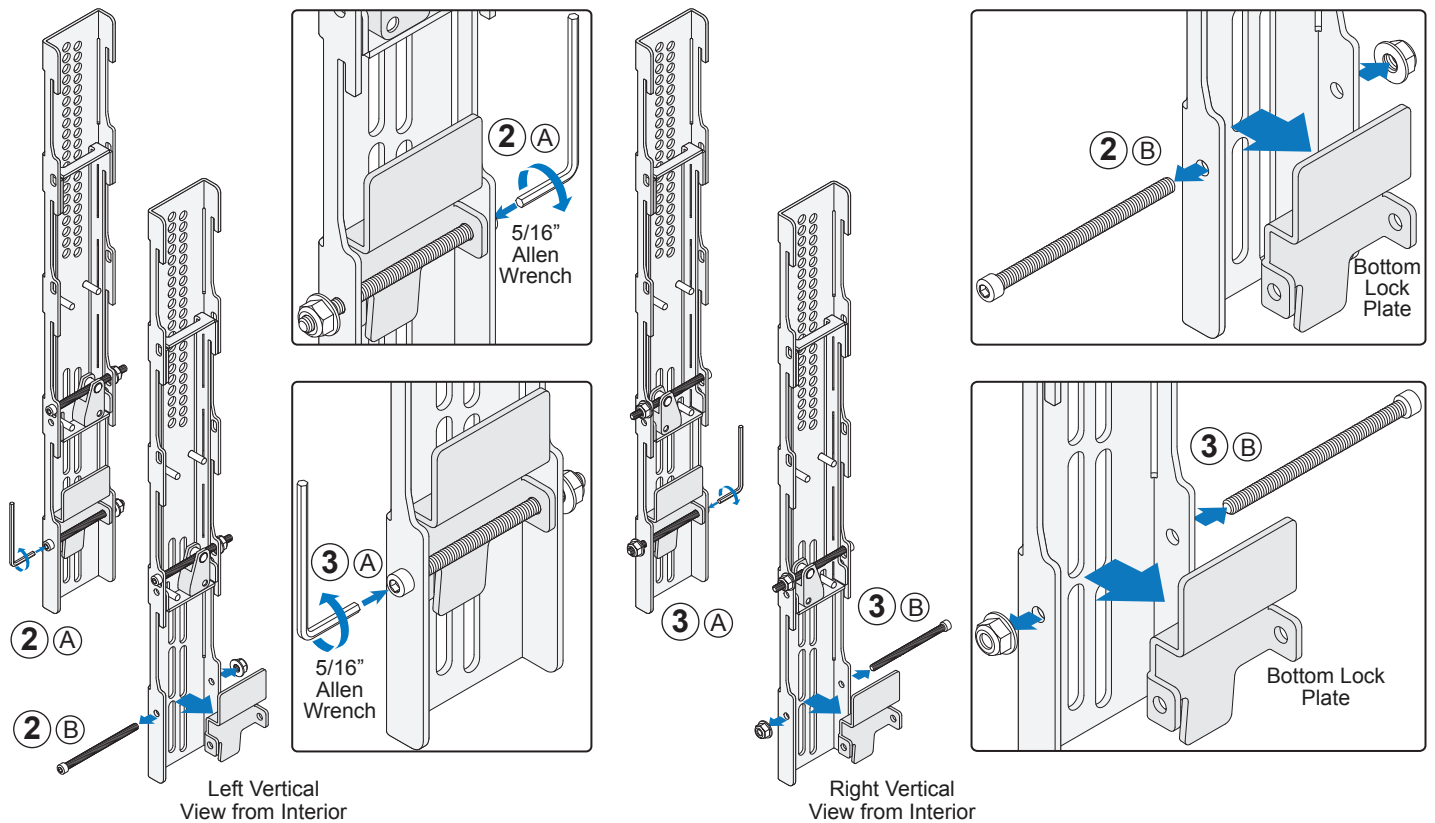
NOTE: If any parts are missing or damaged, contact customer service at (714) 991-6400 or info@rpvisuals.com.

Prepare Vertical Bars

NOTE: The Universal Mount can be adjusted to fit Displays with 200 to 600 vertical VESA patterns offset a maximum of 21-7/8" (558 mm) from center with a 200 mm high pattern. Mount the Display at the perfect height with 40 possible mounting holes and a Pivot adjustment of 1/8" (3 mm). Follow steps on Pages 6-8 to determine the correct mounting position. To adjust the Pivot after you have tested the final height, see Page 11.

- ② Remove Bottom Lock Plate from Right Vertical Bar and store in safe place.
 ③ Remove Bottom Lock Plate from Left Vertical Bar and store in safe place.

NOTE: The Vertical Bars are shipped with the Lock Plates loosely installed. Use a 3/4" Socket Wrench to hold the nut if needed.

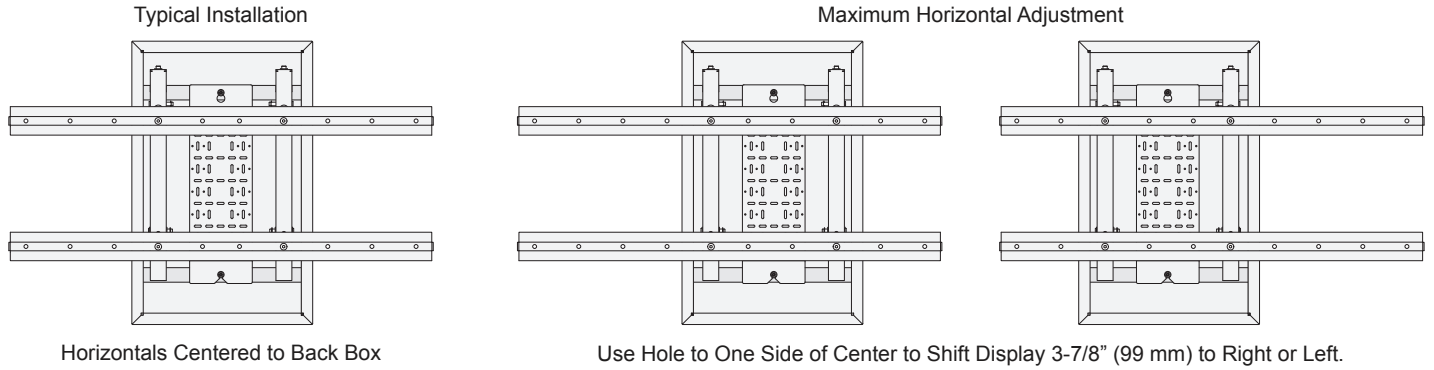


HORIZONTAL BAR INSTALLATION

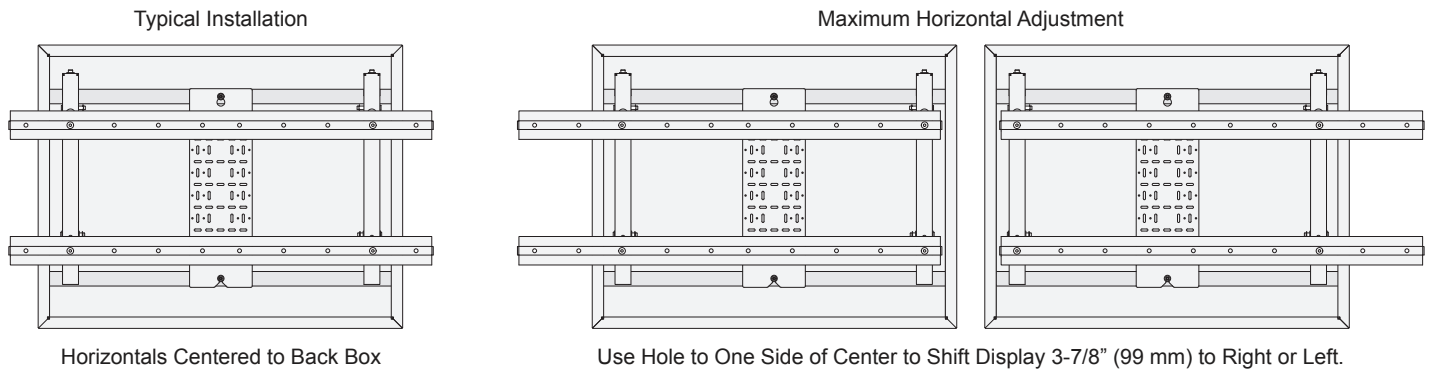
Determine Horizontal Bar Mounting Position

Vertical Bars are mounted to back of the Display and then hung on the Horizontal Bars. Horizontal Bars have stops at each end and can be mounted to shift the Display maximum 3-7/8" (99 mm) in either horizontal direction.

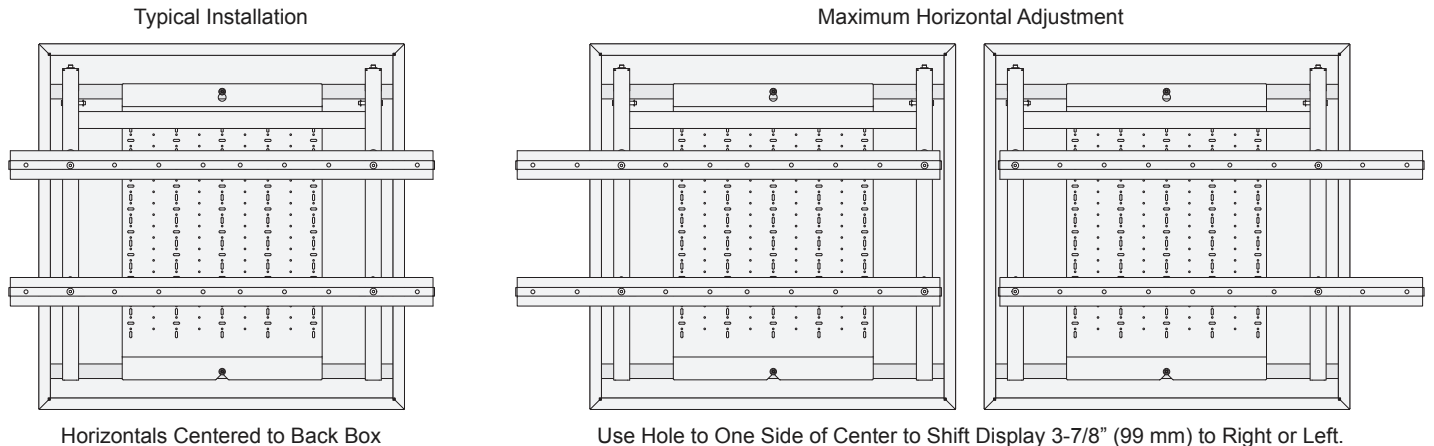
Wallmate 16 (View from Front)



Wallmate 32 (View from Front)



Wallmate 32MAX (View from Front)



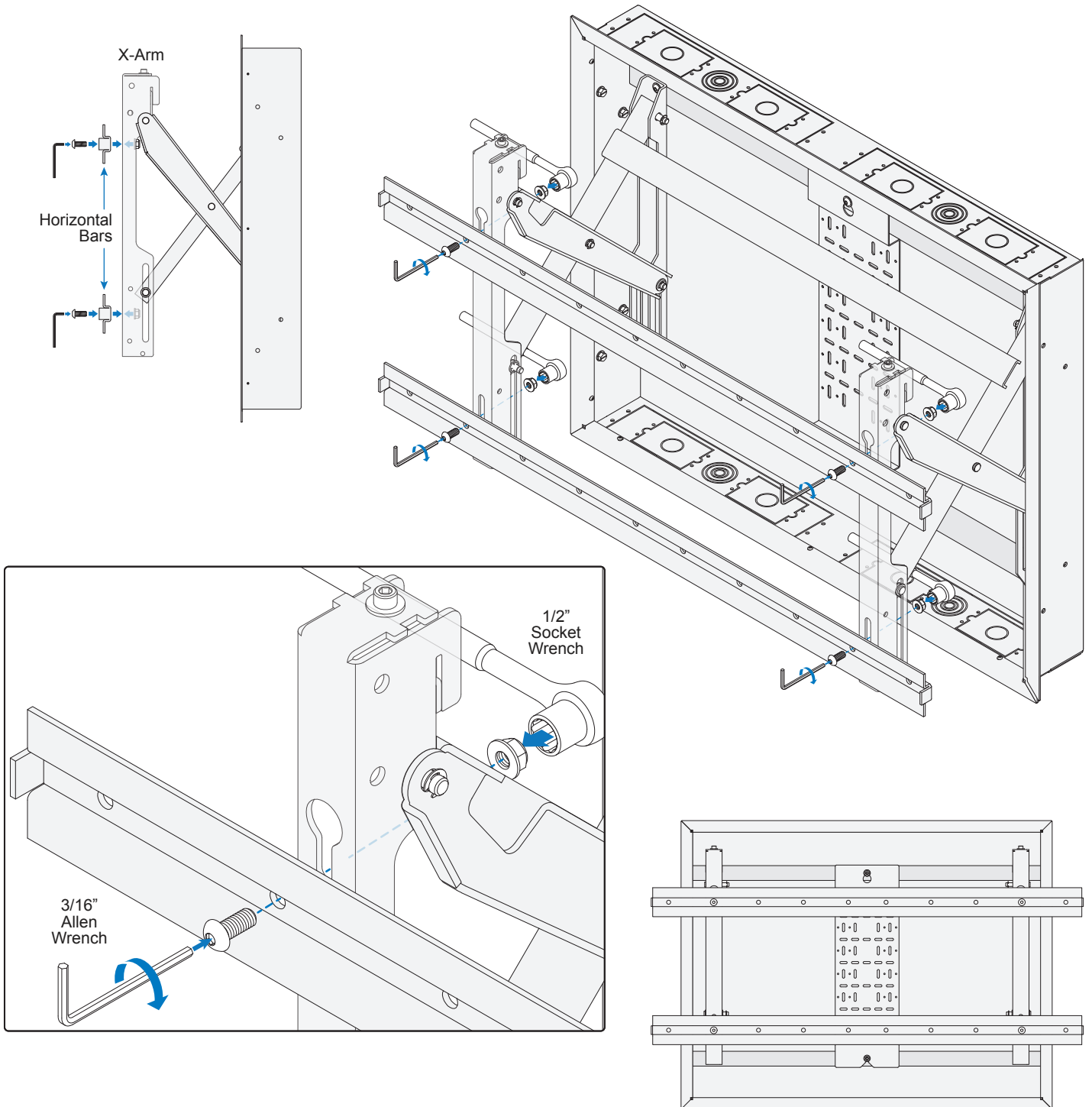
HORIZONTAL BAR INSTALLATION (CONTINUED)

Mount Horizontal Bars to X-Arms

NOTE: Follow instructions in the Wallmate System Installation Manual to install Back Box and X-Arms.

Note: Wallmate 32 with Horizontal Bars centered to X-Arms shown in illustrations. See Page 4 for mounting position options. Installation is similar.

Use included screws and bolts to mount Horizontal Bars at top and bottom X-Arms.



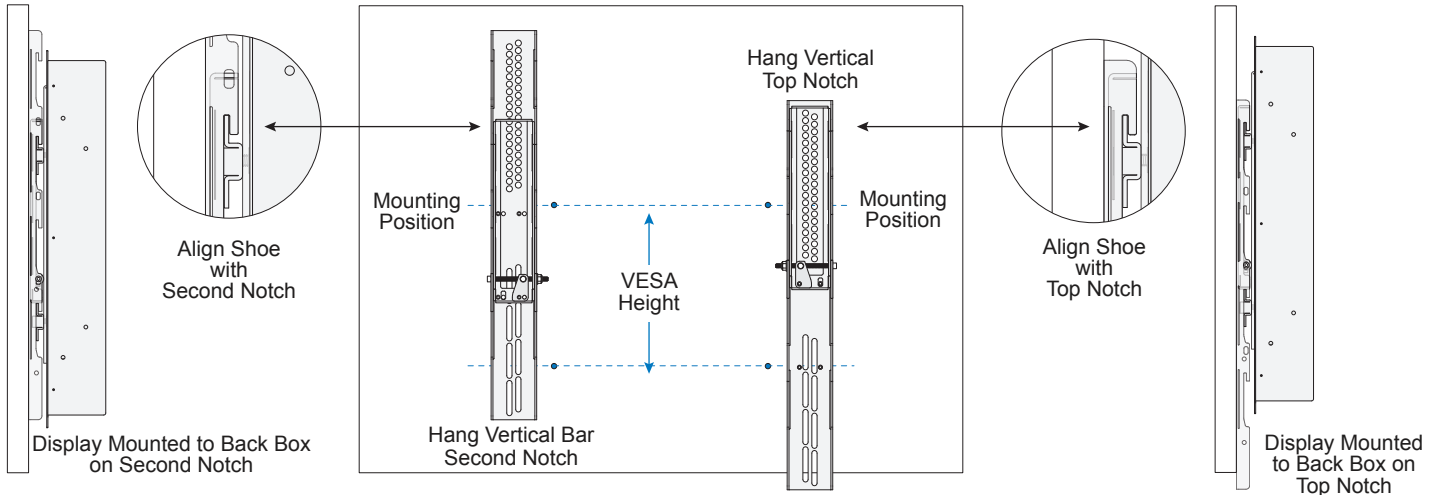
NOTE: Wallmate 32 with X-Arms shown. Wallmate 16 and 32MAX similar.

VERTICAL BAR INSTALLATION

Vertical Bar Mounting Options

The Vertical Bar is designed with maximum adjustment including a Shoe assembly with Pivot for further height adjustment between mounting holes. The Vertical Bar is hung on the Horizontal Bar using the top or second notch. The Shoe assembly with Pivot must align with the selected notch.

NOTE: Vertical Bar is shipped with Shoe mounted in lower position. Use this position to hang Vertical Bar using second notch. To hang Vertical Bar using top notch, move Shoe assembly up to align with top notch. Shoe must sit on Top Horizontal Bar so Pivot adjustment functions. See Page 8.



IMPORTANT: Determine Top Hole Mounting Position on next page before moving Shoe.

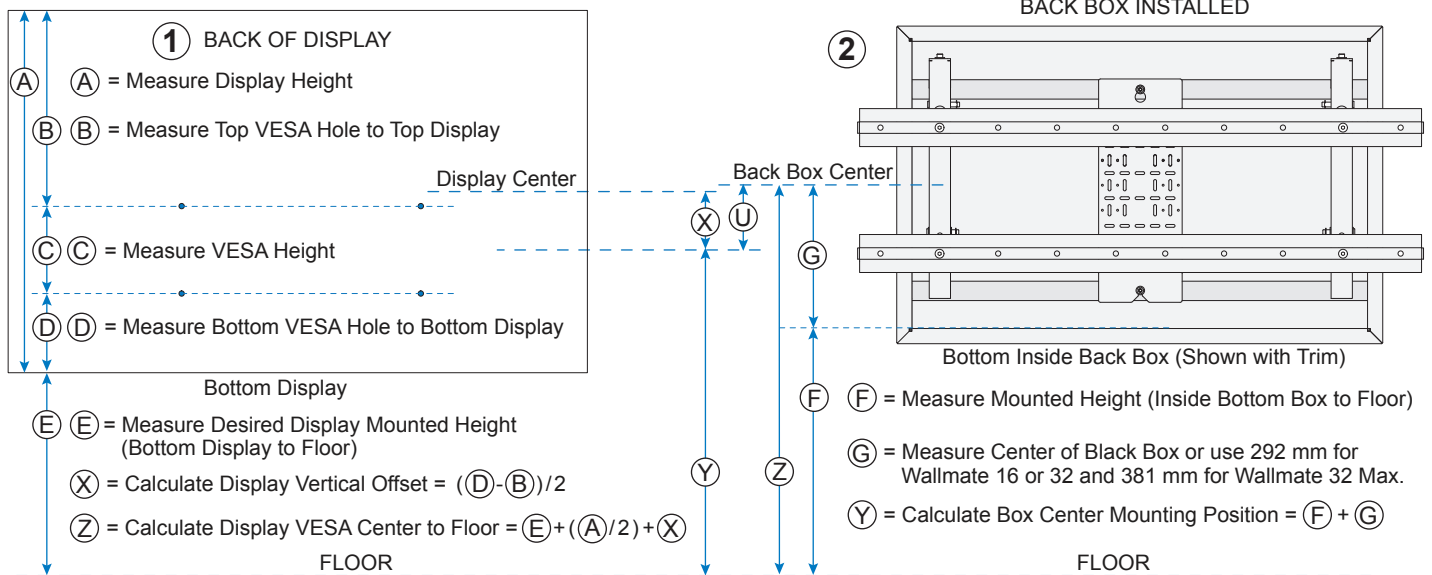
Calculate Universal Mounting Offset Value U

VESA Mounting Holes may not be centered to back of Display. Use Offset Value U calculated below with Mounting Hole Selection Chart on next page to determine correct Vertical Bar mounting position.

NOTE: Mounting Hole Selection Chart on next page is listed in millimeters. Either measure in, or convert inches to millimeters for final numbers.

① Measure Display Values A through E. Calculate Display Values X and Y.

② Measure Back Box Values F and G. Calculate Back Box Value Z.



NOTE: Universal Offset Value U may be a negative number. Use with Chart on Page 7 to determine Vertical Bar Mounting Position.

VERTICAL BAR INSTALLATION (CONTINUED)

Determine Vertical Bar Top Mounting Hole Position

Use the Top Mounting Hole Selection Chart below with VESA Height Value C and Universal Offset Value U from Page 6 to determine the correct Vertical Bar mounting position.

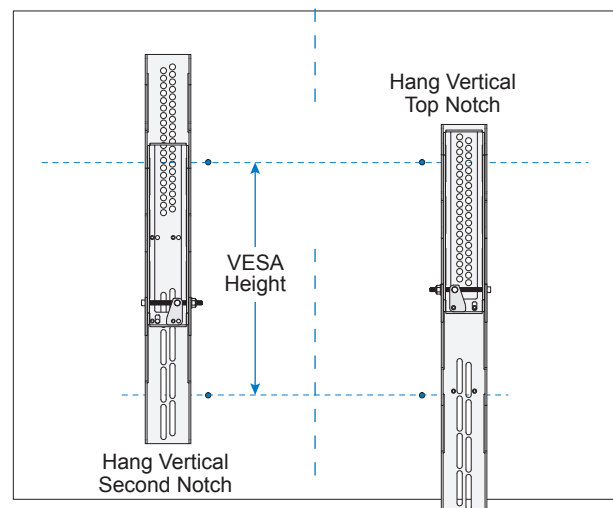
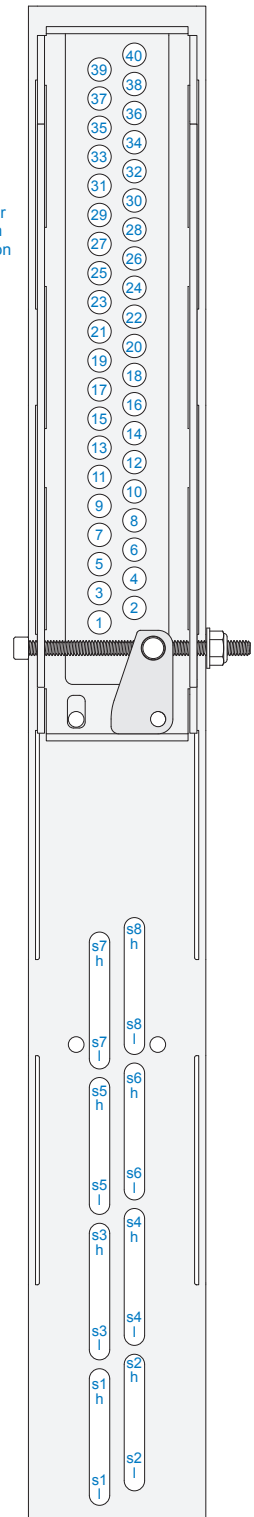
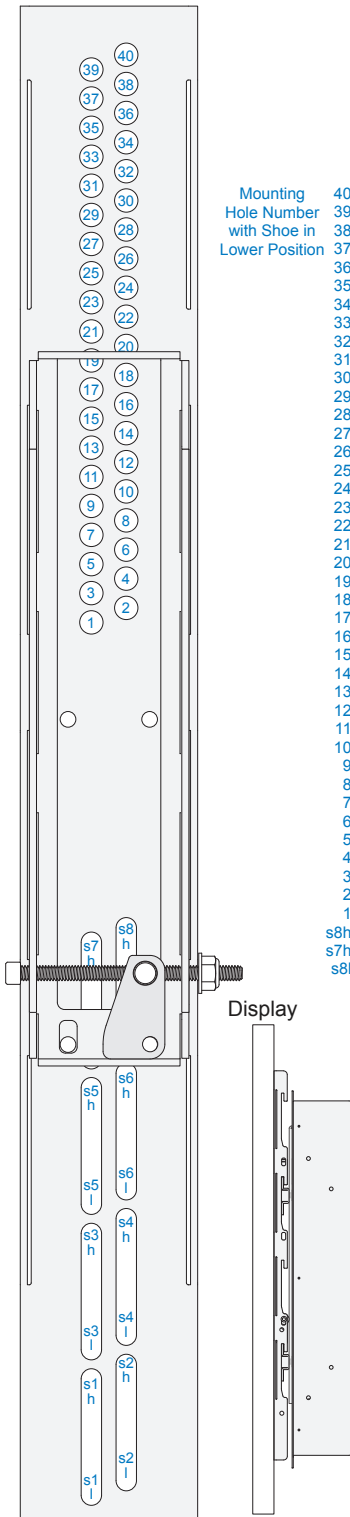
Vertical Bar with Shoe Lower Position
(Right Bar Shown)

Vertical Bar with Shoe Upper Position
(Right Bar Shown)

NOTE: Use columns for your Display's VESA height (Value C) ONLY.
Locate number just **below Offset Value U** calculated on Page 6. For options with Shoe in both positions, use position to best center Bar to Display.

TOP MOUNTING HOLE SELECTION CHART
(All dimensions listed in mm only.)

Mounting Hole Number with Shoe in Lower Position	VESA HEIGHT					VESA HEIGHT					Mounting Hole Number with Shoe in Upper Position
	200	300	400	500	600	200	300	400	500	600	
40	87.81		-12.19	-62.19	-112.19	227.51			77.51	27.51	40
39	81.56		-18.44	-68.44	-115.44	221.26			71.26	24.26	39
38	75.31		-24.69	-74.69	-124.69	215.01			65.01	15.01	38
37	69.06		-30.94	-80.94	-130.94	208.76			58.76	8.76	37
36	62.81		-37.19	-87.19		202.51			52.51		36
35	56.56		-43.44	-93.44		196.26			46.26		35
34	50.31		-49.69	-99.69		190.01			40.01		34
33	44.06		-55.94	-105.94		183.76		83.76	33.76		33
32			-62.19	-112.19				77.51	27.51		32
31			-68.44	-118.44				71.26	21.26		31
30			-74.69	-124.69				65.01	15.01		30
29			-80.94	-130.94				58.76	8.76		29
28		-37.19	-87.19	-137.19		102.50		52.51	2.51		28
27		-43.44	-93.44	-143.44		96.27		46.26	-3.74		27
26		-49.69	-99.69	-149.69				40.01	-9.99		26
25		-55.94	-105.94	-155.94				33.76	-16.24		25
24		-62.19	-112.19	-162.19				27.51	-22.49		24
23		-68.44	-118.44	-168.44				21.26	-28.74		23
22		-74.69	-124.69	-174.69				15.01	-34.99		22
21		-80.94	-130.94	-180.94				8.76	-41.24		21
20		-87.19	-137.19					2.51			20
19		-93.44	-143.44					-3.74			19
18		-99.69	-149.69					-9.99			18
17		-105.94	-155.94				33.77	-16.24			17
16		-112.19	-162.19				27.51	-22.49			16
15		-118.44	-168.44				21.26	-28.74			15
14		-124.69	-174.69				15.01	-34.99			14
13		-130.94	-180.94				8.76	-41.24			13
12		-137.19	-187.19				2.51	-47.49			12
11		-143.44	-193.44				-3.74	-53.74			11
10		-149.69	-199.69				-9.99	-59.99			10
9		-155.94	-205.94				-16.24	-66.24			9
8		-162.19	-212.19				-22.49	-72.49			8
7		-168.44	-218.44				-28.74	-78.74			7
6		-174.69	-224.69				-34.99	-84.99			6
5		-180.94	-230.94				-41.24	-91.24			5
4		-187.19					-47.49				4
3		-193.44					-53.74				3
2		-199.69					-59.99				2
1		-205.94					-66.24				1
s8h	-287.18					-147.48					s8h
s7h	-293.43					-153.73					s7h
s8l	-330.93										s8l



VERTICAL BAR INSTALLATION (CONTINUED)

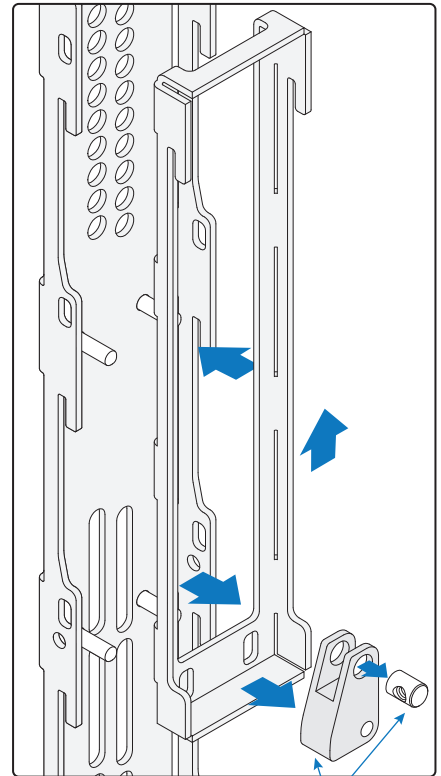
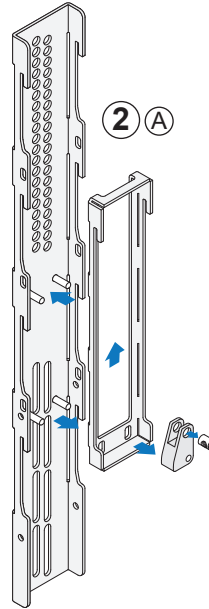
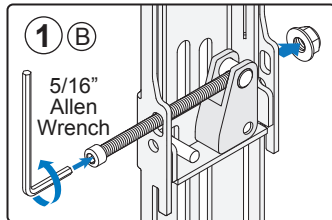
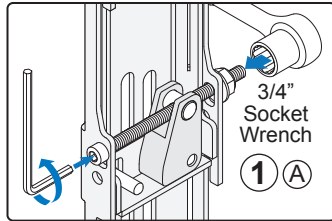
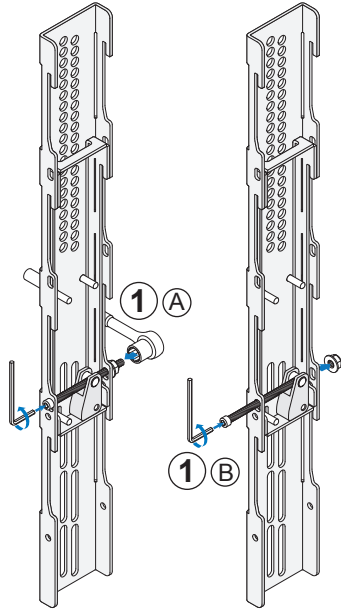
Prepare Vertical Bar for Top Notch Mounting (Optional)

NOTE: Instructions shown for Left Vertical Bar from interior. Right Vertical Bar similar.

IMPORTANT: Only move Shoe with Pivot to top position if required on previous page.

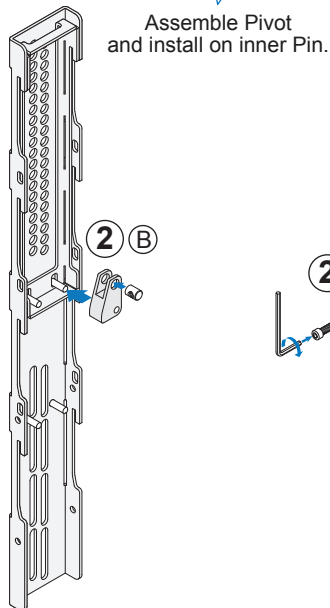
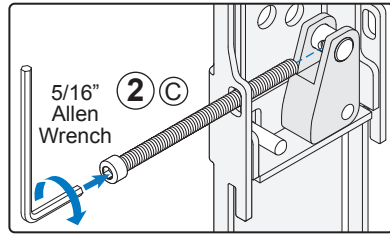
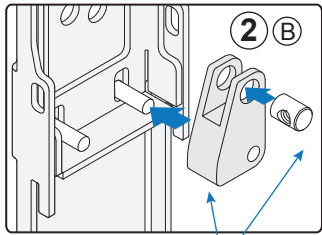
① Loosen screw to remove nut. Continue to unscrew from Pivot.

② Move Shoe with Pivot to upper position and fasten.

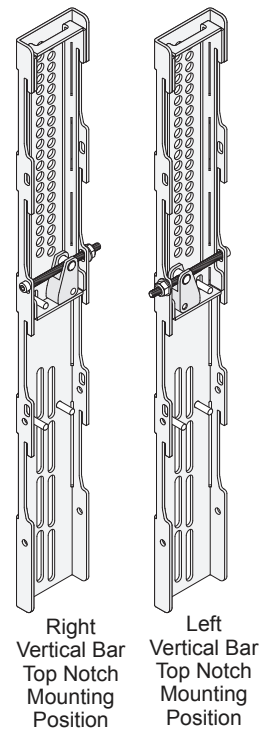
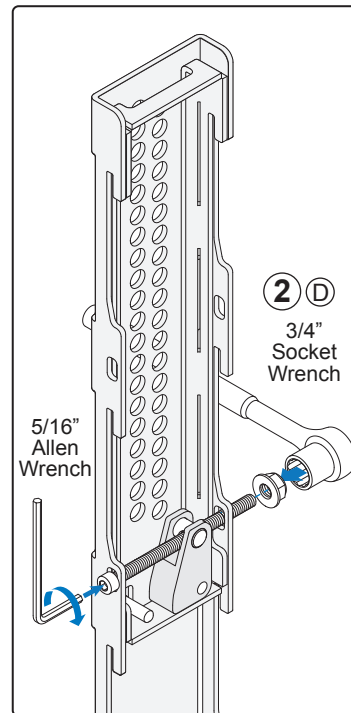
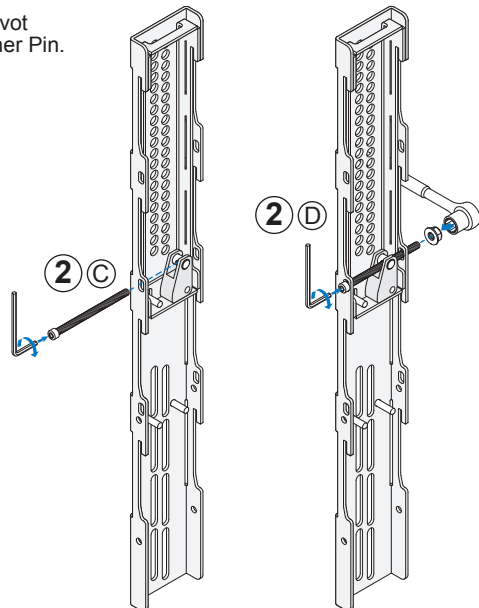


NOTE: Pivot is held together when installed. Pieces will come apart when Shoe is removed.

NOTE: Tighten Bolt so bottom of Pivot is flat against bottom of Shoe in standard position. See Page 11.



Assemble Pivot and install on inner Pin.



Right Vertical Bar Top Notch Mounting Position

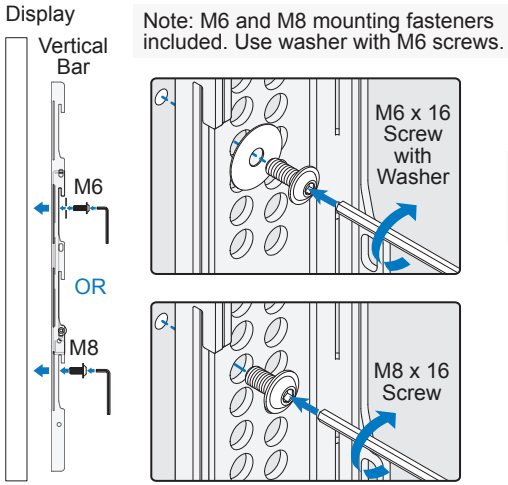
Left Vertical Bar Top Notch Mounting Position

DISPLAY INSTALLATION

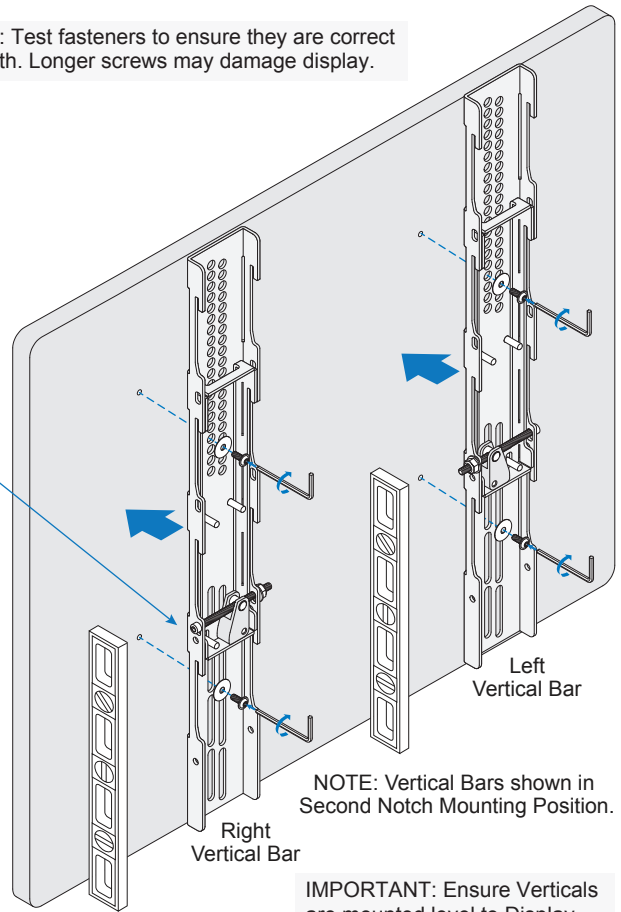
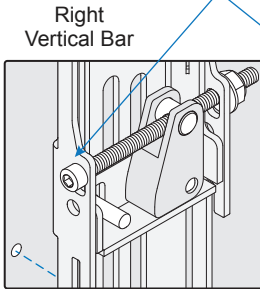
Mount Vertical Bars to Display

IMPORTANT: Test fasteners to ensure they are correct size and length. Longer screws may damage display.

① Fasten Vertical Bars to back of Display.



NOTE: Vertical Bars are handed. Install with Hex Head to outside of display.

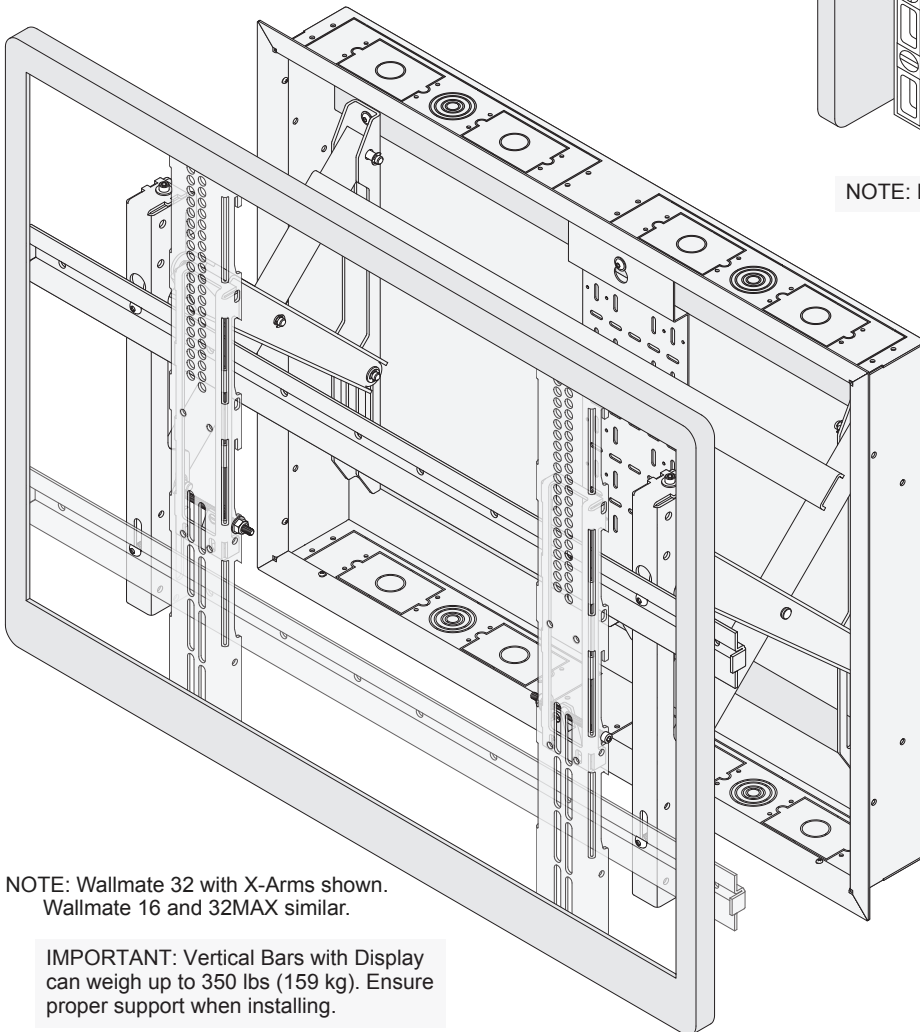


NOTE: Vertical Bars shown in Second Notch Mounting Position.

IMPORTANT: Ensure Verticals are mounted level to Display.

Hang Display

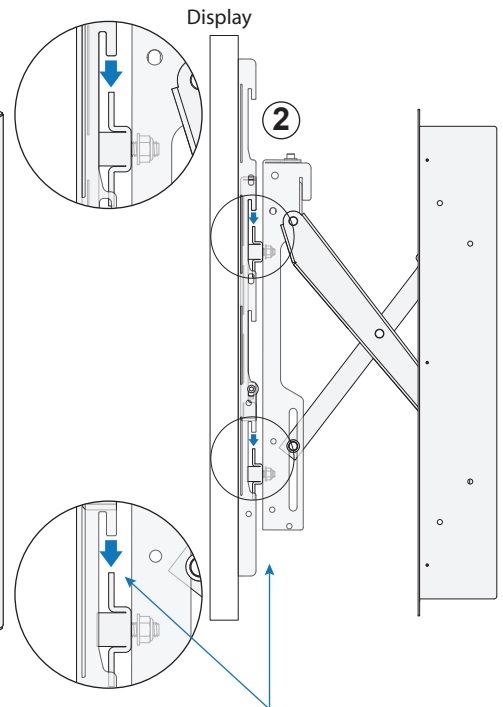
② Lower Display onto Horizontal Bars.



NOTE: Wallmate 32 with X-Arms shown. Wallmate 16 and 32MAX similar.

IMPORTANT: Vertical Bars with Display can weigh up to 350 lbs (159 kg). Ensure proper support when installing.

NOTE: Lock X-Arm in open position before hanging Display.



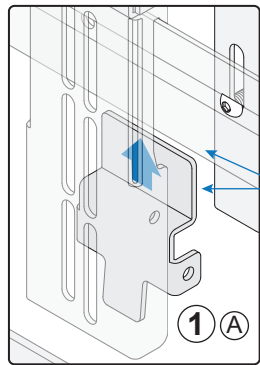
NOTE: Ensure Vertical Bar notches hook onto top of top and bottom Horizontal Bars.

DISPLAY INSTALLATION (CONTINUED)

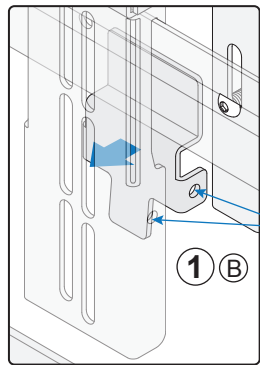
Install Bottom Lock Plates

- 1 Install Bottom Lock Plate on each Vertical Bar.

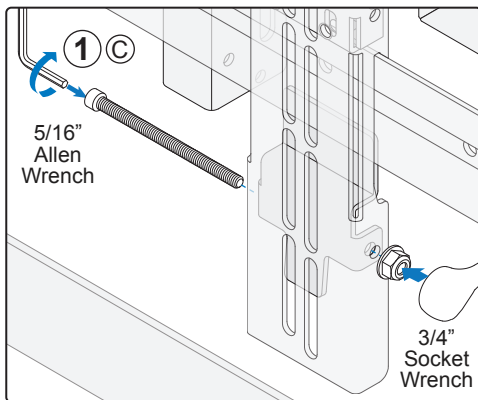
NOTE: Ensure Lock Plate fits behind Bottom Horizontal Bar.



Fit Lock Plate behind Horizontal Bar.

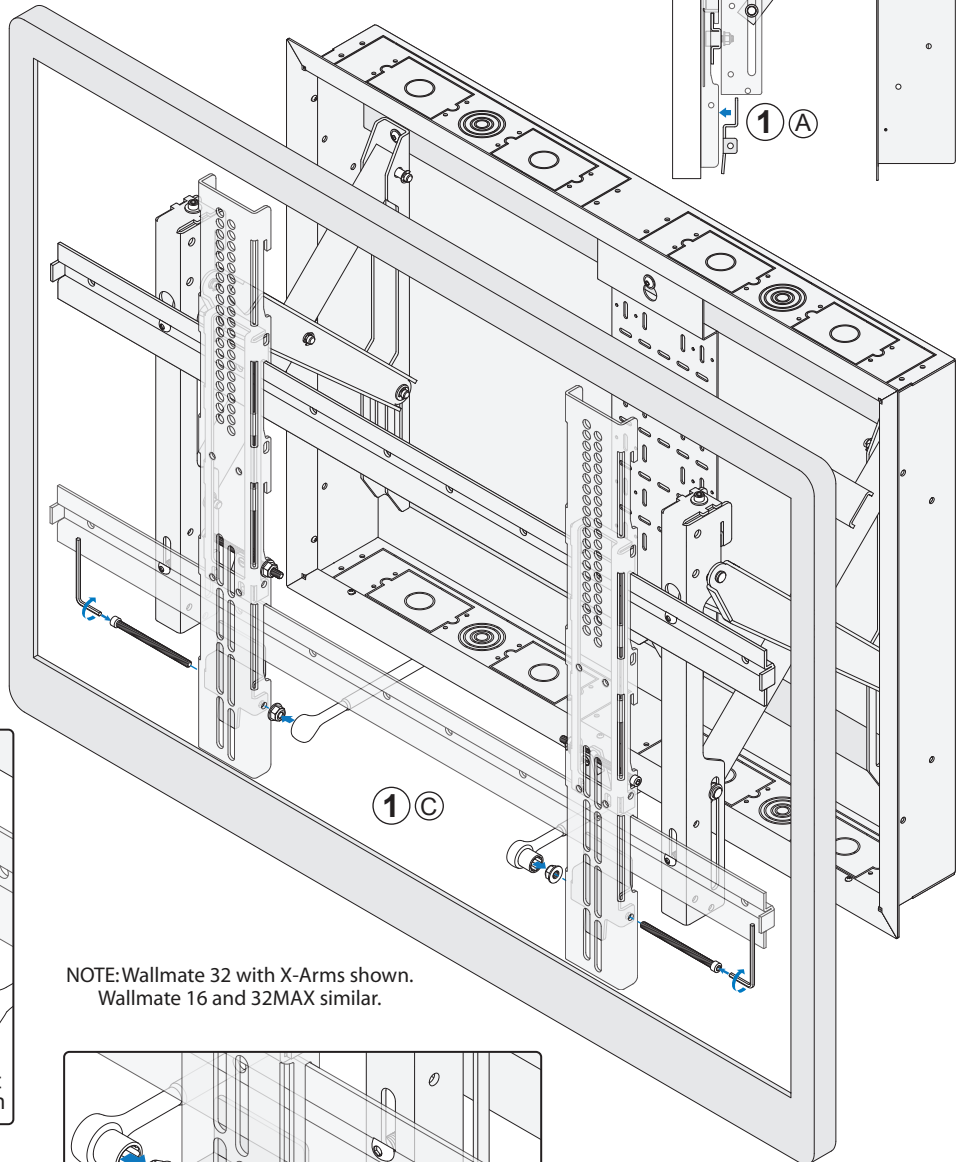
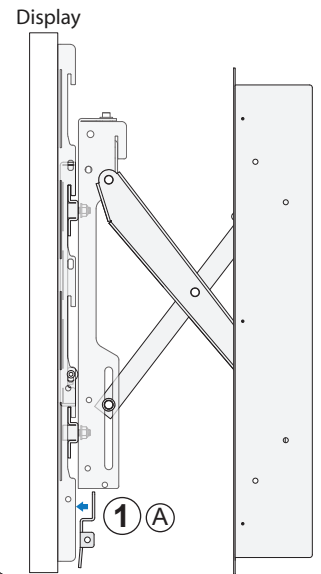
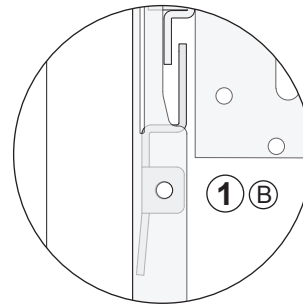
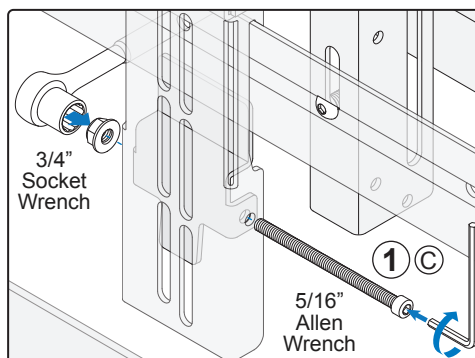


Align holes.



NOTE: Orient Hex Head to outside of Display.

NOTE: Wallmate 32 with X-Arms shown. Wallmate 16 and 32MAX similar.

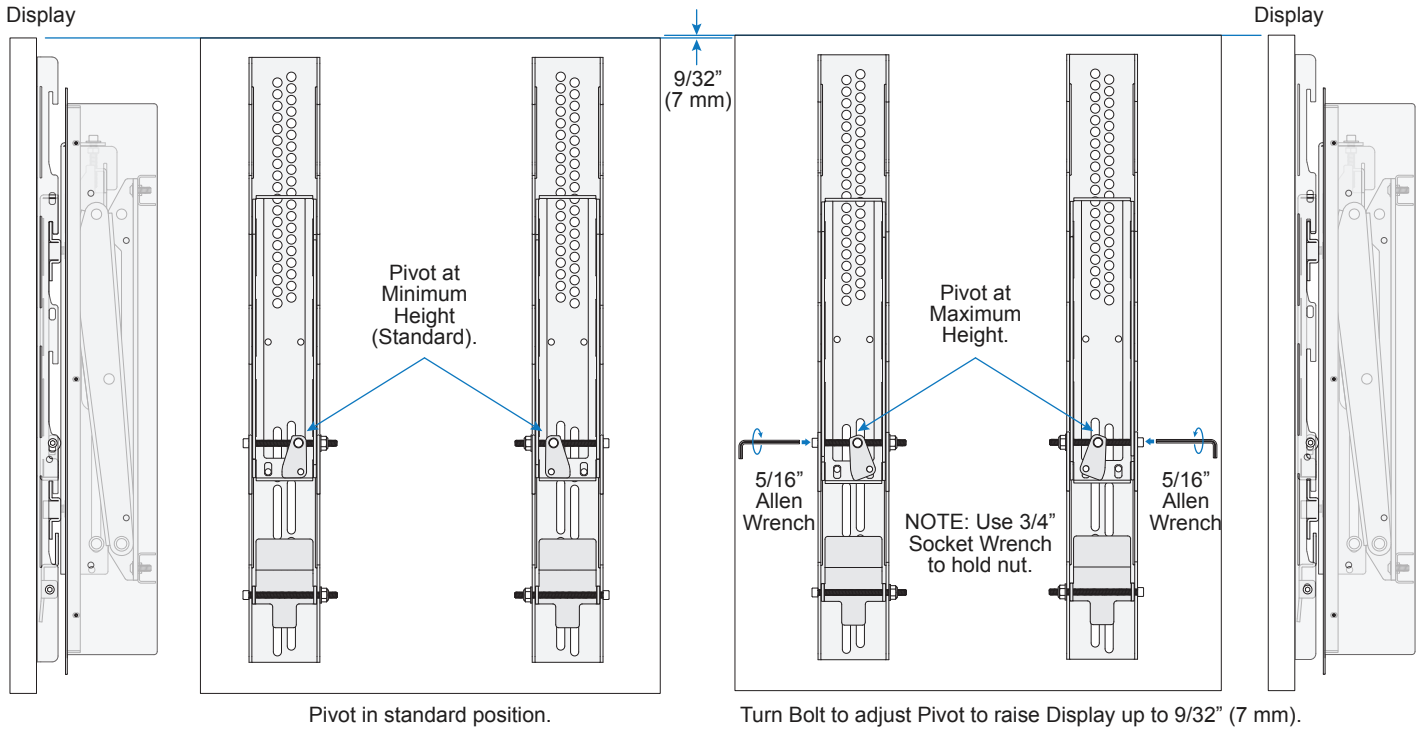


FINAL ADJUSTMENTS

NOTE: Reference the Wallmate System Installation Manual to adjust the Display to plumb.

Adjust Display Height

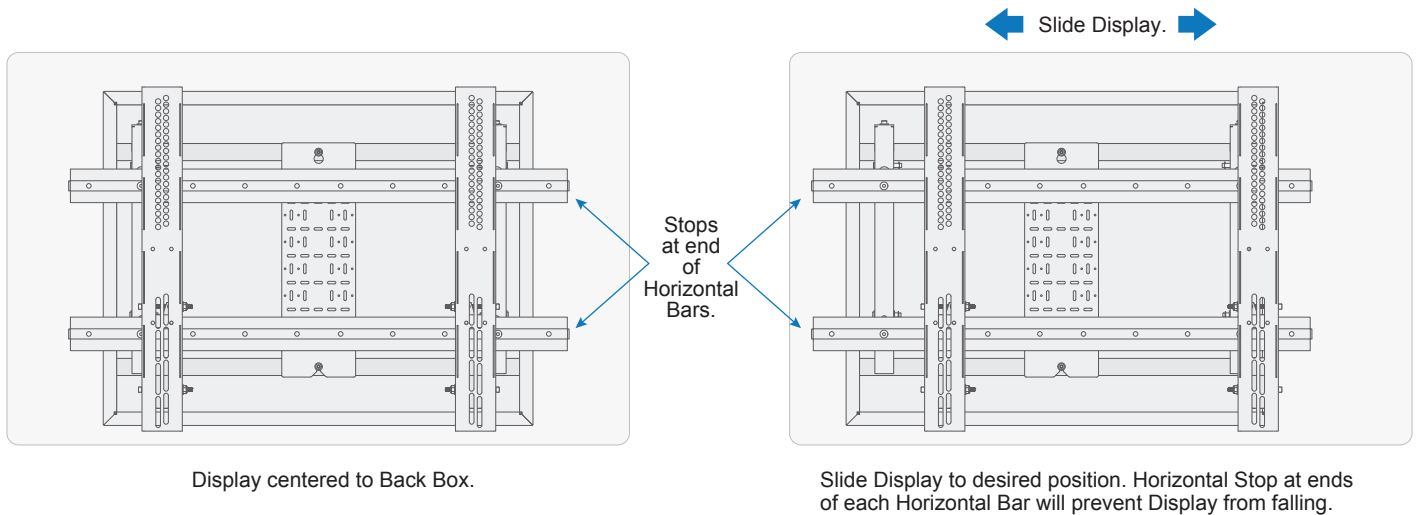
IMPORTANT: Rotate Bolt one turn on left Vertical Bar. Repeat turn on right Vertical Bar. Continue to make same small adjustments on each Bar until at desired height.



NOTE: Vertical Bars shown from interior for clarity.

Adjust Horizontal Position

Slide the Display to desired position. Stops at the end of Horizontal Bars will determine maximum shift and also prevent Display from sliding off. Use for minor adjustments. Major horizontal adjustments are shown on Page 4.



NOTE: This is recommended for minor adjustments. To enable offset farther in one direction than the other refer to Page 4 for horizontal bar offsets.